

ISUZU

SPECIFICATIONS

FVR 240 – FVR34SU-MD-2E



* Actual vehicle specification may vary from picture shown above.

NO.1 COMMERCIAL VEHICLE BRAND IN MALAYSIA

OVERVIEW

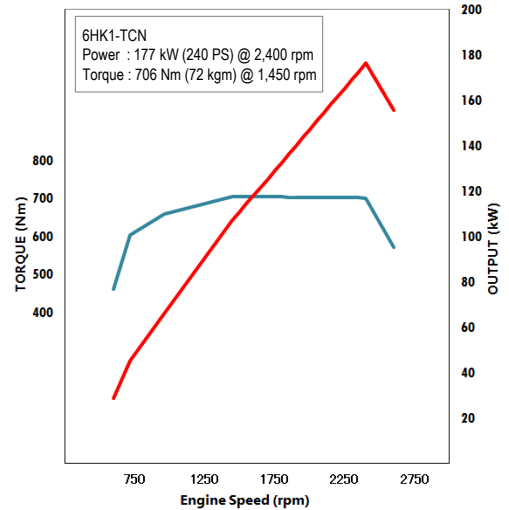
GVW : 18,000 kg
POWER : 240 PS @ 2,400 rpm
TORQUE : 706 Nm @ 1,450 rpm

- Emission: EURO II
- Turbocharger with Intercooler
- Common Rail Direct Injection
- JPJ STEP 2 ECE Compliance

POWERTRAIN & CHASSIS

ENGINE

CODE : 6HK1-TCN
TYPE : 6 Cylinder In-line, OHC
DISPLACEMENT : 7,790 cc
COMPRESSION RATIO : 17.5:1
BORE x STROKE : 115 mm x 125 mm
MAX. POWER : 177 kW (240 PS) @ 2,400 rpm
MAX. TORQUE : 706 Nm (72 kgm) @ 1,450 rpm
INDUCTION SYSTEM : Turbocharger with Intercooler
FUEL INJECTION : Direct Injection with Common Rail
EMISSION : EURO 2
SPEED LIMITER : Equipped 90 km/h



TRANSMISSION

CODE : ISUZU MZW-6P
NO. OF SPEED : 6
GEAR RATIOS [:1] :

1 ST	2 ND	3 RD	4 TH	5 TH	6 TH	Reverse	Final
6.615	4.095	2.358	1.531	1.000	0.722	6.615	6.143

CLUTCH

TYPE : Clutch Air Assisted, Dry Single Plate, Coil Spring
SIZE : Φ380 mm

AXLES

FRONT TYPE : Reverse Elliot I-Beam
FRONT AXLE CAPACITY : 6,300 kg
REAR TYPE : Single Reduction Banjo Design Full Floating
REAR AXLE CAPACITY : 13,000 kg

SUSPENSION

FRONT : Semi-elliptical Alloy Steel, Hydraulic Double Acting Telescopic Shock Absorber
SPRING TYPE : Multi-Leaf Springs
REAR : Semi-elliptical Alloy Steel
SPRING TYPE : Multi-Leaf Springs

BRAKES

FRONT : Drum Brakes
SIZE : Φ410 x 140
REAR : Drum Brakes
SIZE : Φ410 x 180
SYSTEM : Air Over Hydraulic (AOH), Dual Circuit, Front & Rear Leading Trailing
P. BRAKE : Mechanical Expansion Type, Located at the Rear End of Transmission
AUXILIARY : Exhaust Brake

STEERING

POSITION : RHS
BOOSTER : Power Assist Recirculating Ball

WHEELS AND TYRES

WHEEL : 22.5 x 8.25 (ISO 10 Studs)
TYRE : 11R22.5-16PR
SPARE TYRE : Frame Mounted Spare Wheel and Tyre Assembly



FVR 240 – FVR34SU-MD-2E

SPECIFICATIONS

CHASSIS FRAME

TYPE	: Ladder Type Channel Section
CROSS SECTION DIMENSION(mm)	: 254 x 85 x 8.0
REAR FRAME WIDTH(mm)	: 850
MATERIAL	: JSH440J

ELECTRICAL SYSTEM

OPERATING VOLTAGE	: 24 V
ALTERNATOR	: 50 A

WEIGHTS & CAPACITIES

GROSS VEHICLE WEIGHT	: 18,000 kg
CURB WEIGHT	: 4,942 kg
FRONT	: 3,137 kg
REAR	: 1,805 kg

FUEL TANK

CAPACITY	: 200 L
POSITION	: Left Side
MATERIAL	: Steel
FUEL CAP	: Lockable

CABIN SPECIFICATIONS

CAB EXTERIOR

- High tensile steel cab under frame.
- Manual cab tilt to 45° with torsion bar assist.
- 90° wide door opening with bigger side step.
- Heavy duty non slip entry steps.
- Internally reinforced front doors.
- Bumper mounted halogen headlamps with turning lamps and fog lamps.
- Door mounted side turning lamps.
- Combination brake, turn, reverse, fog & registration plate lamps.
- Roof mounted marker lamps.
- Six view mirrors.
- Body colored radiator grill & front bumper.
- Front Under Run Protector.
- Front LID opening for basic maintenance.
- Front Wheel Cover.

CAB INTERIOR

- 3 Seating capacity with fabric seat covers.
- Air suspension driver seat with adjustable seating positioning.
- Reclinable passenger seat.
- Foldable center seat with storage compartment.
- Seatbelt on driver & both passenger.
- Bed mattress (650mm width).
- Pillar egress assist grip.
- Energy absorbing, tilt & telescopic adjustable steering column.
- Electric power window & central locking system.

- Double cup holders, 24V cigarette lighter & dashboard hook.
- DIN sized compartment for storage or for accessory & GPS unit installation.
- Air conditioning with 4-speed fan & adjustable vent for windscreen, face & floor.
- Interior trim, padded roof lining and vinyl floor covering.
- Driver header storage shelf & passenger glovebox.
- Front door mounted storage pockets and driver's side ashtray.
- Fluorescent interior lamp with On/Door/Off switch.
- Radio & CD player with 2 speakers.

DRIVER CONTROL

- Engine idle speed control.
- Fog lamp switch on dashboard panel.
- Manual headlamp leveling knob.
- Left side combination switch: Windscreen wipers, washers & exhaust brake.
- Right side combination switch: Headlamp, turn signal & rear fog lamp.

INSTRUMENT CLUSTER

- Electrically driven speedometer & tachometer.
- Digital odometer with integrated tripmeter.
- Engine coolant, fuel level and air pressure gauge.
- Warning light: Check engine, alternator charging, service brake, parking brake, engine oil level low.
- Indicator light: High beam, exhaust brake, turn signals.

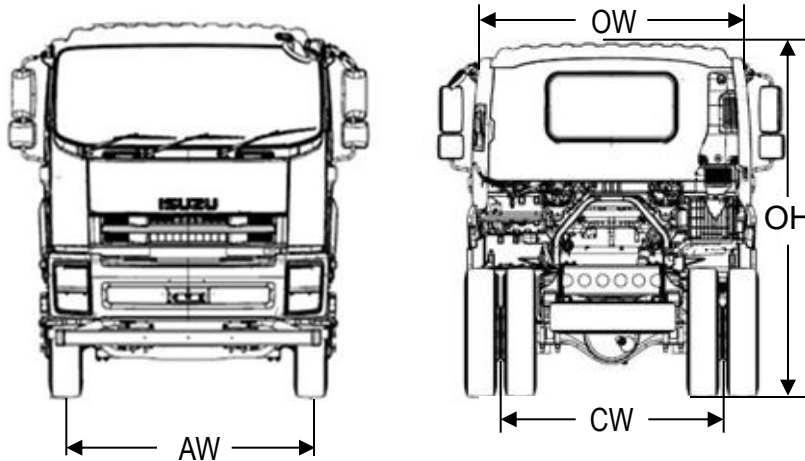
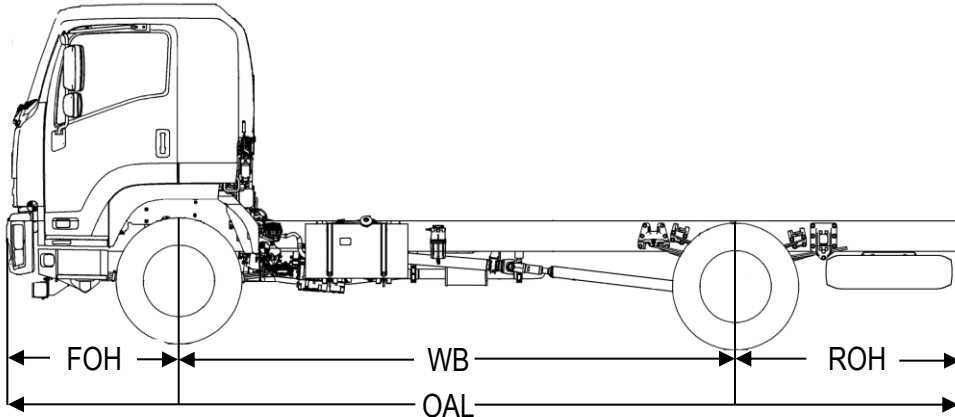
ISUZU

FVR 240 – FVR34SU-MD-2E

SPECIFICATIONS

Standard Vehicle Dimension (mm)

VEHICLE MODEL	Standard Vehicle Dimension (mm)							
	LENGTH				WIDTH			HEIGHT
	Overall Length	Standard Wheelbase	Front Overhang	Rear Overhang	Overall Width	Front Tread	Rear Tread	Overall Height
	OAL	WB	FOH	ROH	OW	AW	CW	OH
FVR34SU-MD-2E	8,175	4,650	1,440	2,085	2,400	1,970	1,850	2,815



WARRANTY



* Warranty for accessories might be varies

FREE SERVICE



DOCTOR MOBILE



Reliable support with round-the-clock business operation.

1-800-88-8000



ISUZU

ISUZU MALAYSIA SDN BHD (664946-H)

501D, LEVEL 5, TOWER D, UPTOWN 5,
NO 5, JALAN SS21/39, DAMANSARA UPTOWN,
47400 PETALING JAYA, SELANGOR DARUL EHSAN.

GENERAL LINE: 03-7723 9777 FAX: 03-7723 9779

HOTLINE: 1-300-88-1133 www.isuzu.net.my